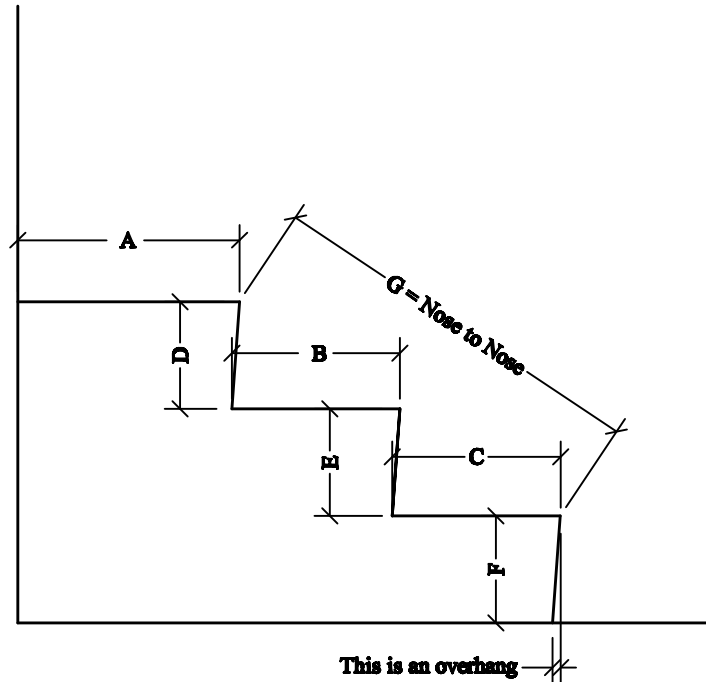


Measuring for Custom Type #1



If you are interested in any option of Custom Rail #1 take your measurements A through G and any overhang, count the number of stairs, then give us a call.

If you have a different amount of stairs than our drawing, measure each rise and run to give to us.

*** If you can e-mail a picture - that is very helpful ***