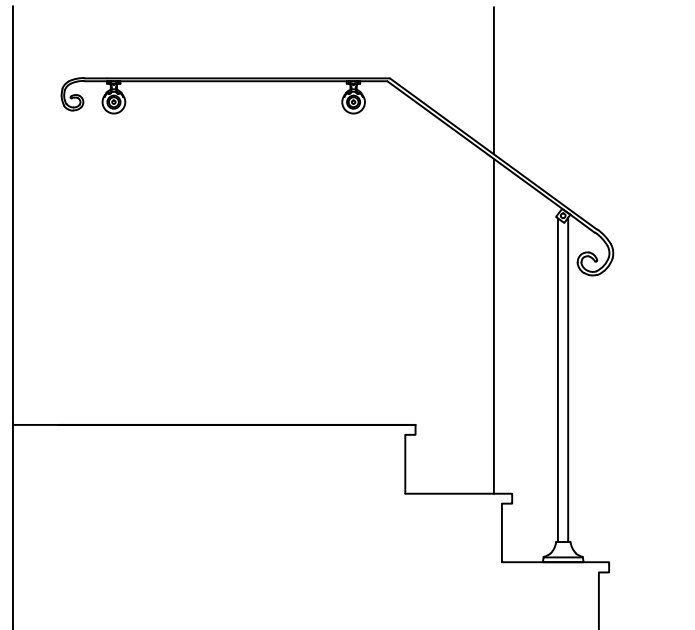


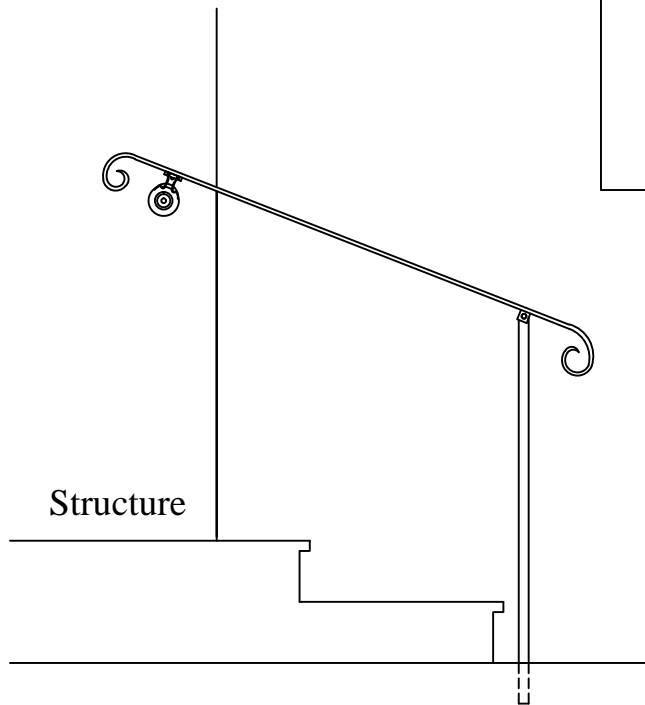
### Custom 2A

EZ Wall Rail modified to extend beyond wall with 1 bend to level off  
 Extra charge: \$20.00 for bend



### Custom 2B

EZ Rail with base plate modified to extend onto a wall with wall brackets - with 1 bend  
 Extra charge: \$20.00 for bend



### Custom 2C

EZ Rail (core drilled) modified to extend onto a wall and attach with bracket  
 Regular price

Any of the customizations shown here could be modifications to an EZ Rail or EZ Rail with base plate